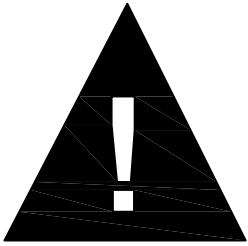


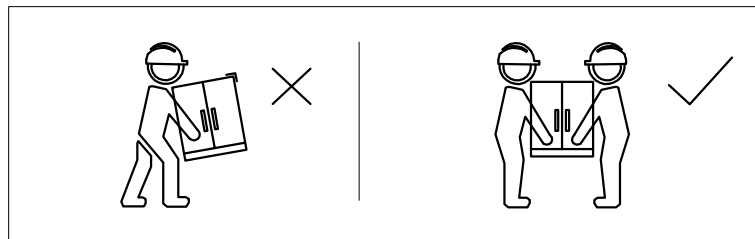
# ASSEMBLY INSTRUCTION

## V3621DLR



### Warning: Excessive weight hazard!

Use two or more people to move, assemble, or install cabinets to avoid back injury. do not leave children unattended near cabinets. high risk of tipping if cabinets are installed incorrectly: securely attach cabinets to the wall to avoid serious injury.







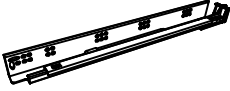


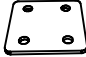

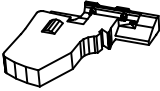
**YouTube Chanel for Assembly Videos:**

**Vanity Atelier**

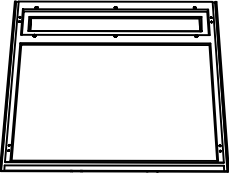
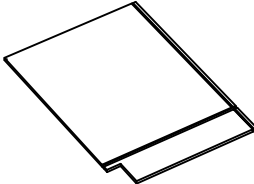
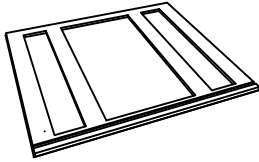
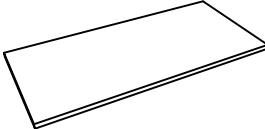
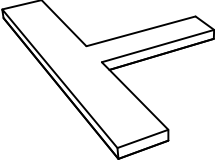
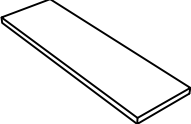
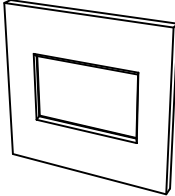
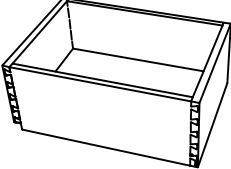
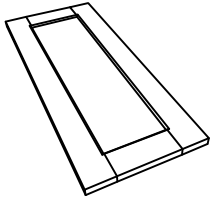
<https://www.youtube.com/@VanityAtelier>

# ASSEMBLY INSTRUCTION

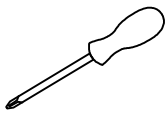
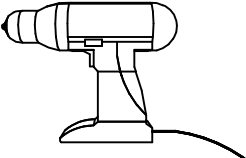


## INCLUDED HARDWARE

<p>(a) L-BRACKET</p> 	<p>(b) SCREW <math>\Phi 3 \times 12</math></p> 	<p>(c) SCREW <math>\Phi 4 \times 16</math></p> 	<p>(d) SCREW <math>\Phi 4 \times 50</math></p> 	<p>(e) SLIDE</p> 
14PC(S)	64PC(S)	20PC(S)	2PC(S)	2PC(S)
<p>(f) DOOR BUMPER</p> 	<p>(g) CORNER SUPPOR BRACKET</p> 	<p>(h) BRACKET</p> 	<p>(i) HINGE</p> 	<p>(j) SLIDE BRACKET</p> 
8PC(S)	4PC(S)	2PC(S)	4PC(S)	4PC(S)

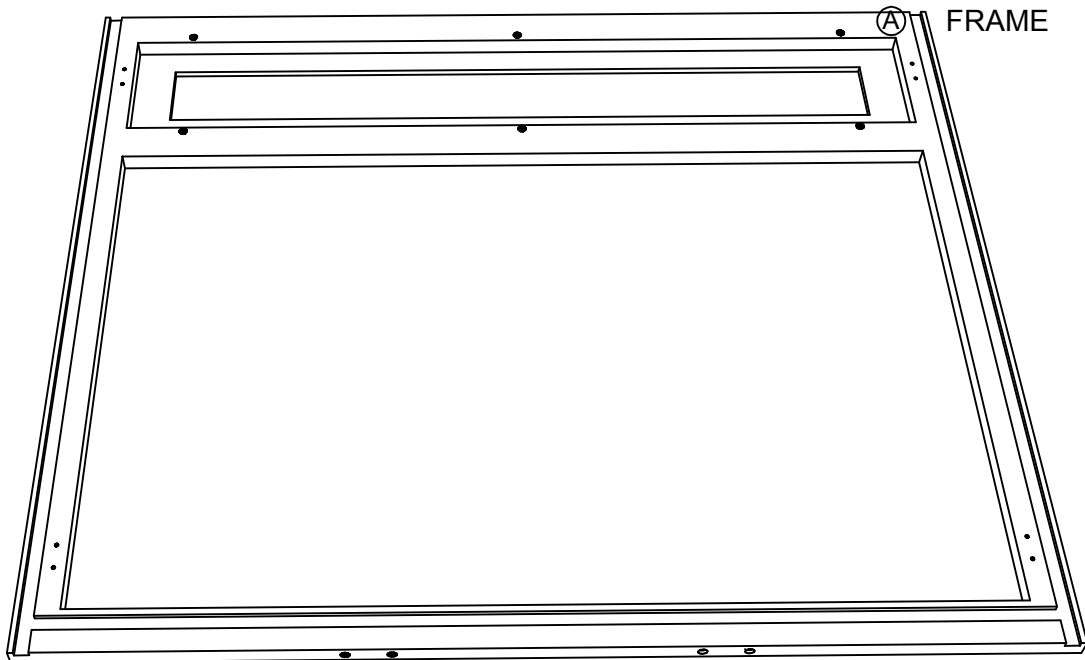
## PRODUCT PARTS

<p>(A) FRAME</p> 	<p>(B) SIDE PANEL</p> 	<p>(C) BACK PANEL</p> 	<p>(D) DECK</p> 
1PC(S)	2PC(S)	1PC(S)	1PC(S)
<p>(E) T-FRAME</p> 	<p>(F) BASEBOARD</p> 	<p>(G) DRAWER FACE</p> 	<p>(H) DRAWER BOX</p> 
1PC(S)	1PC(S)	2PC(S)	2PC(S)
<p>(I) DOOR</p> 			
2PC(S)			

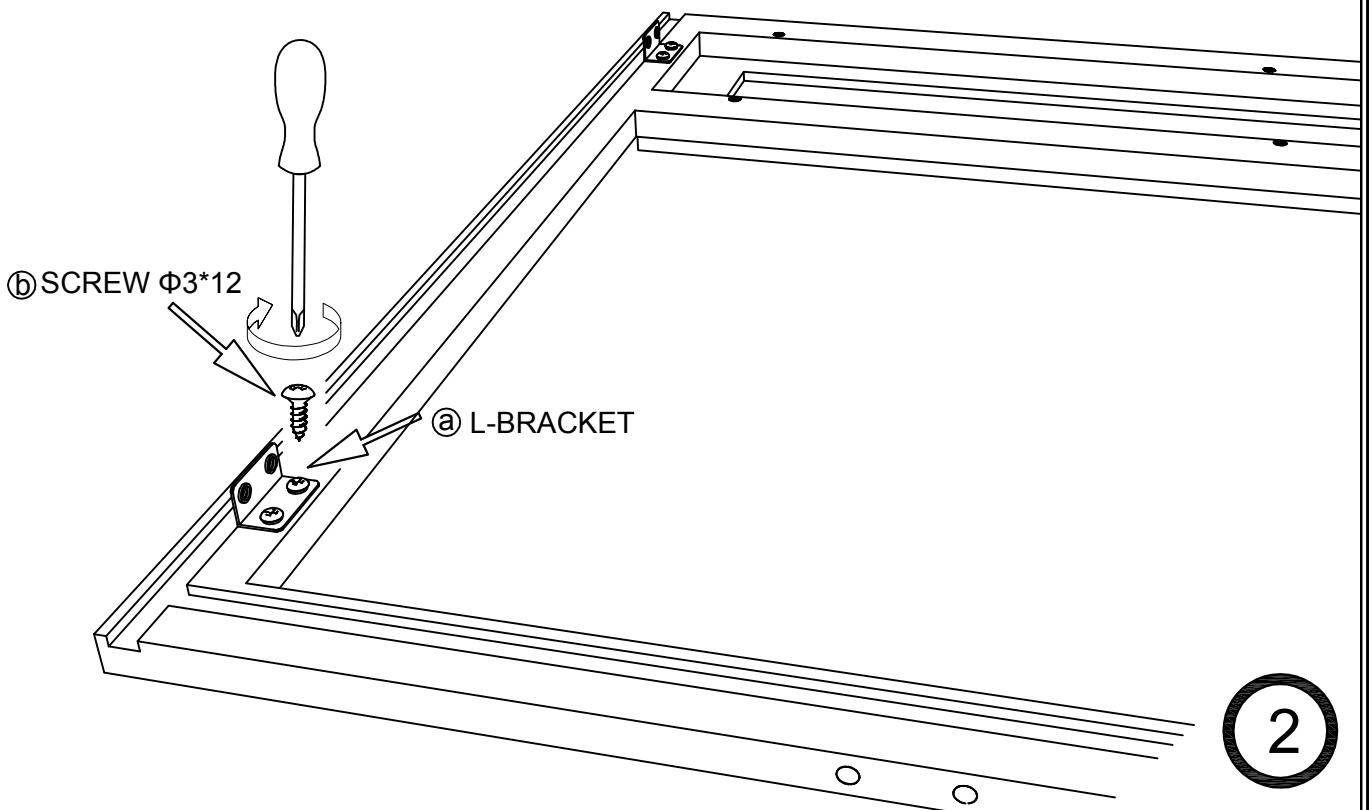
## RECOMMENDED TOOLS

<p>SCREWDRIVER</p> 	<p>DRILL</p> 	<p>RUBBER Mallet</p> 	<p>GLUE</p> 
--	--	---	---

# ASSEMBLY INSTRUCTION

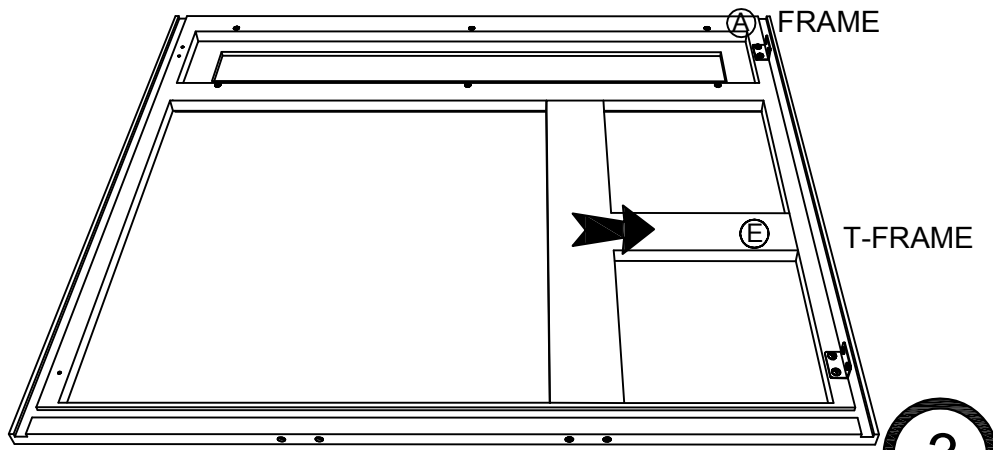
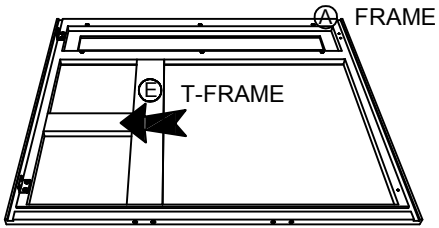


1

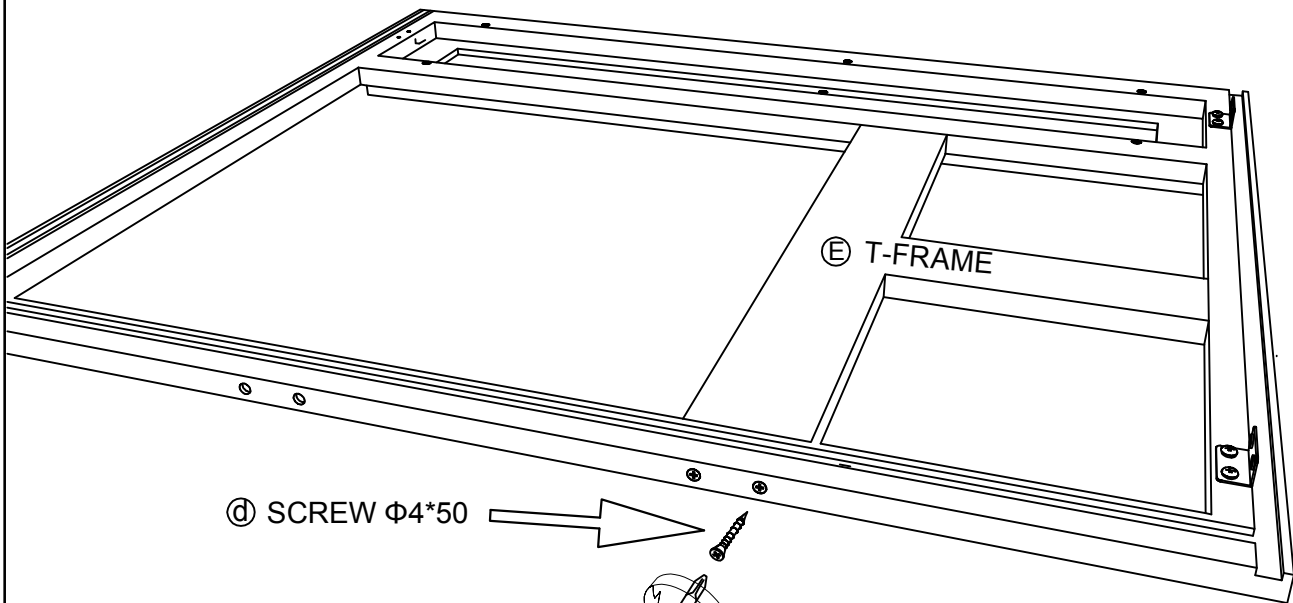


2

# ASSEMBLY INSTRUCTION



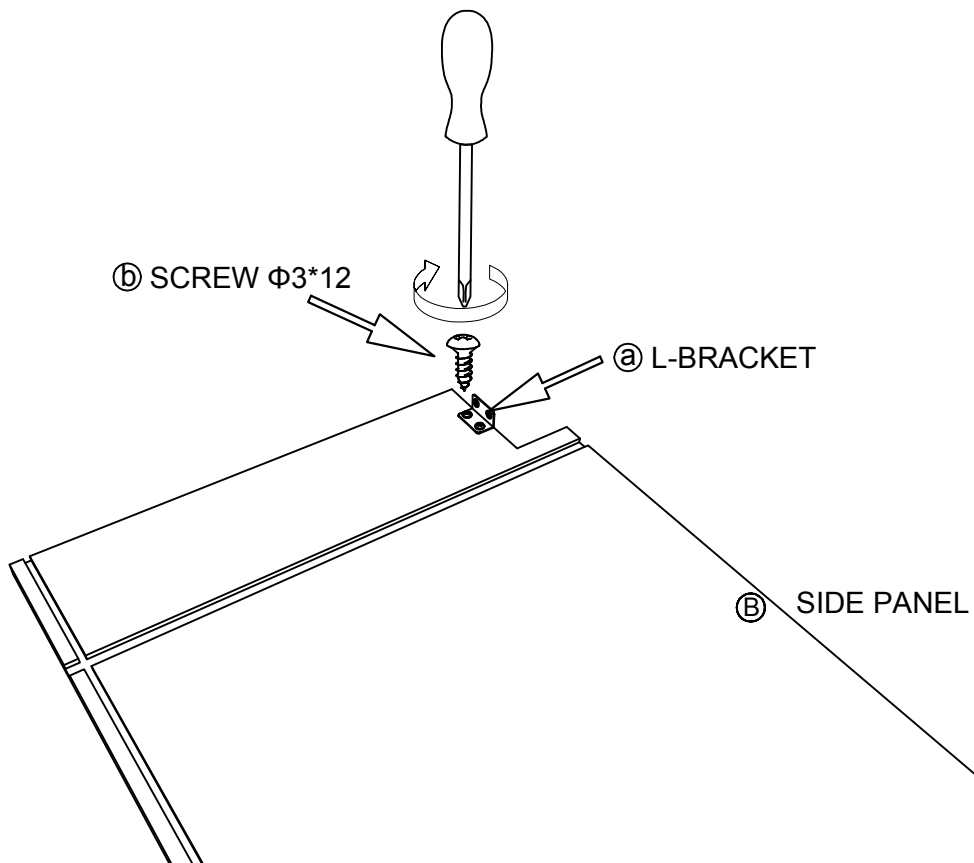
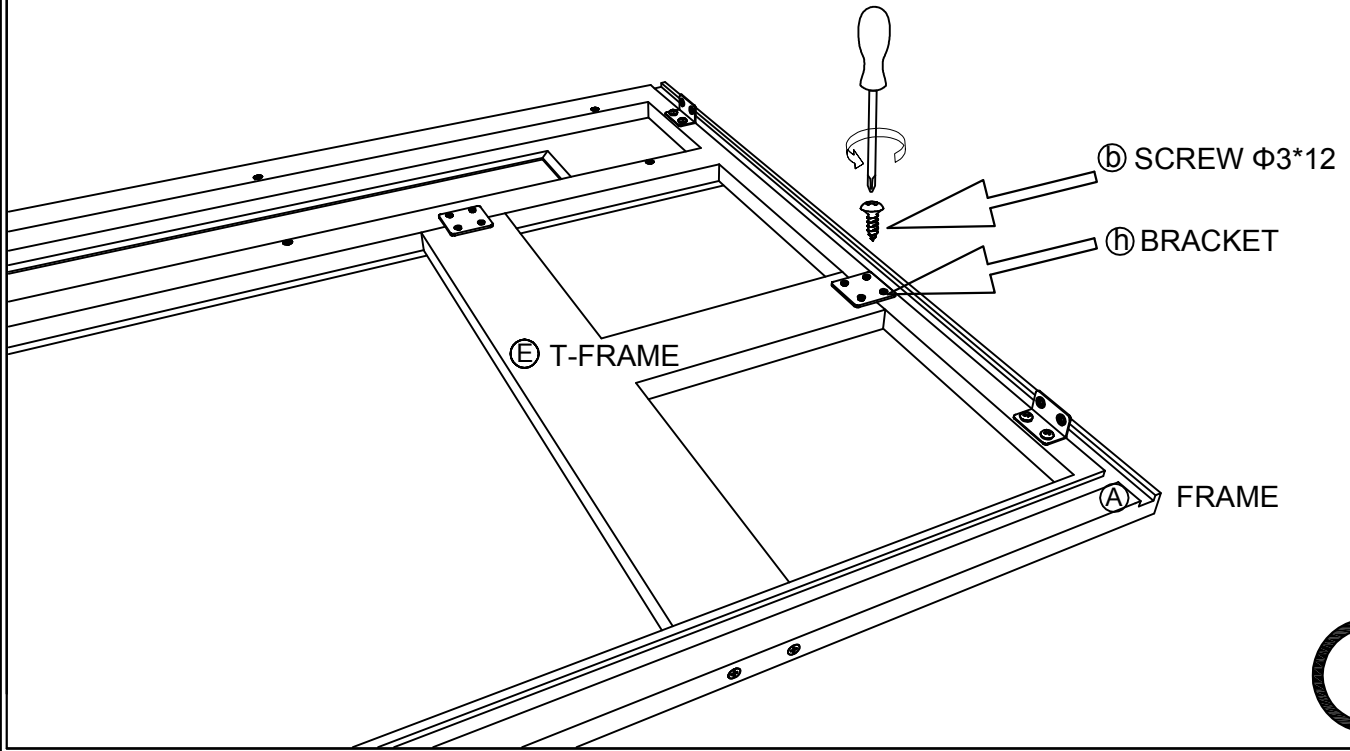
3



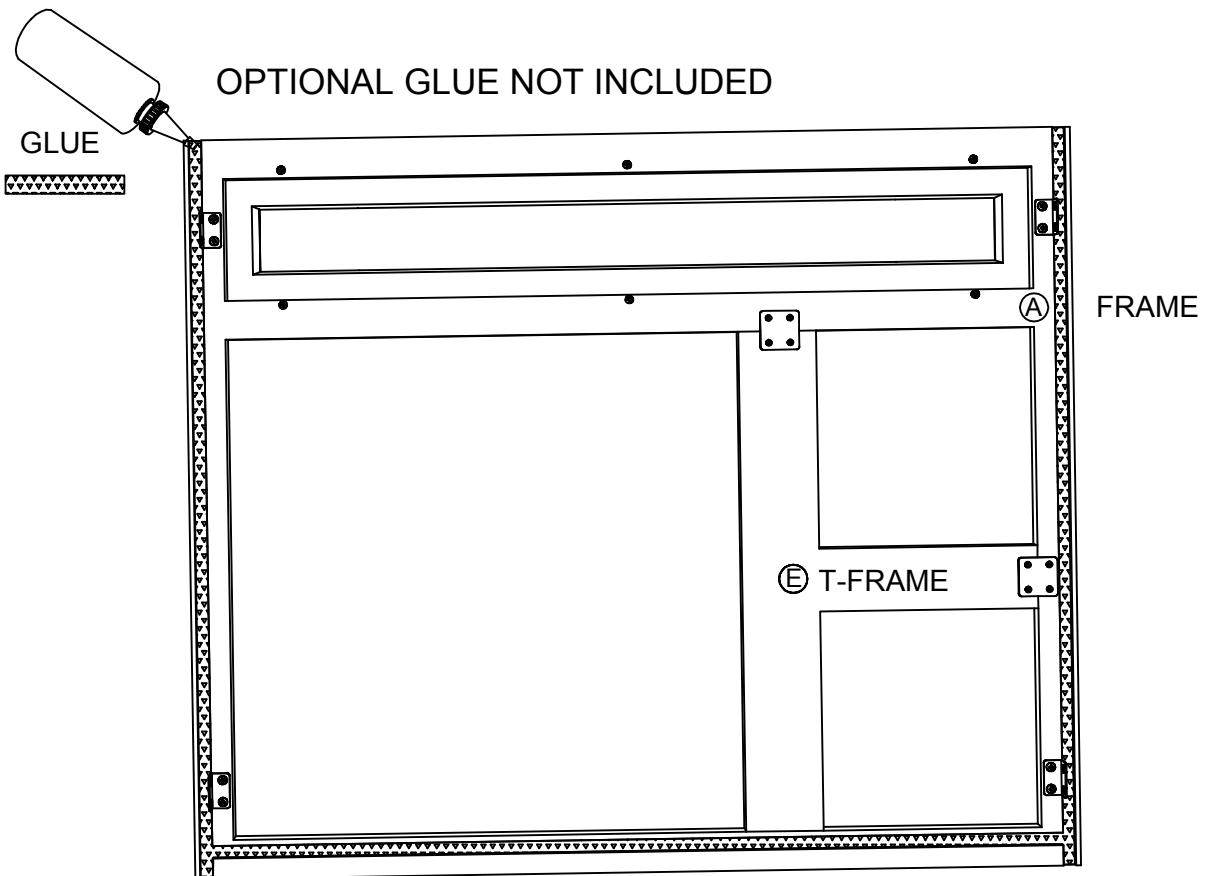
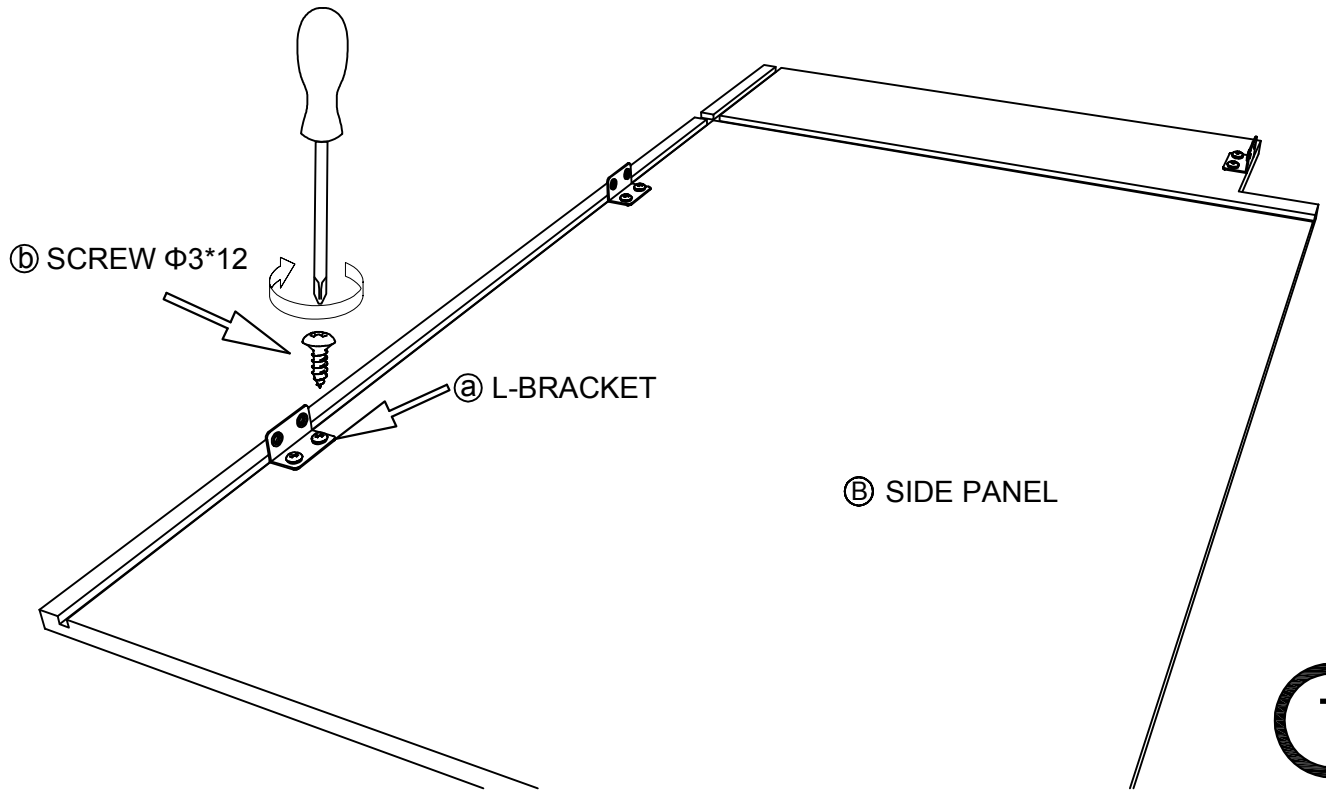
d SCREW  $\Phi 4*50$

4

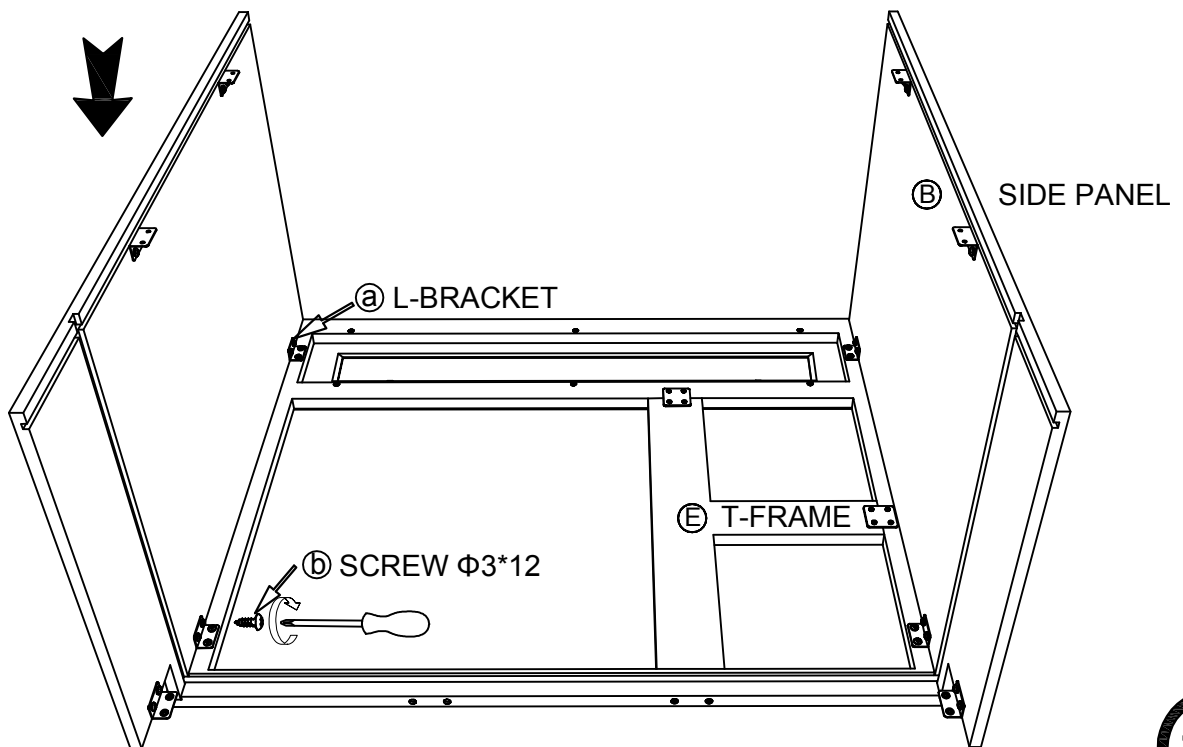
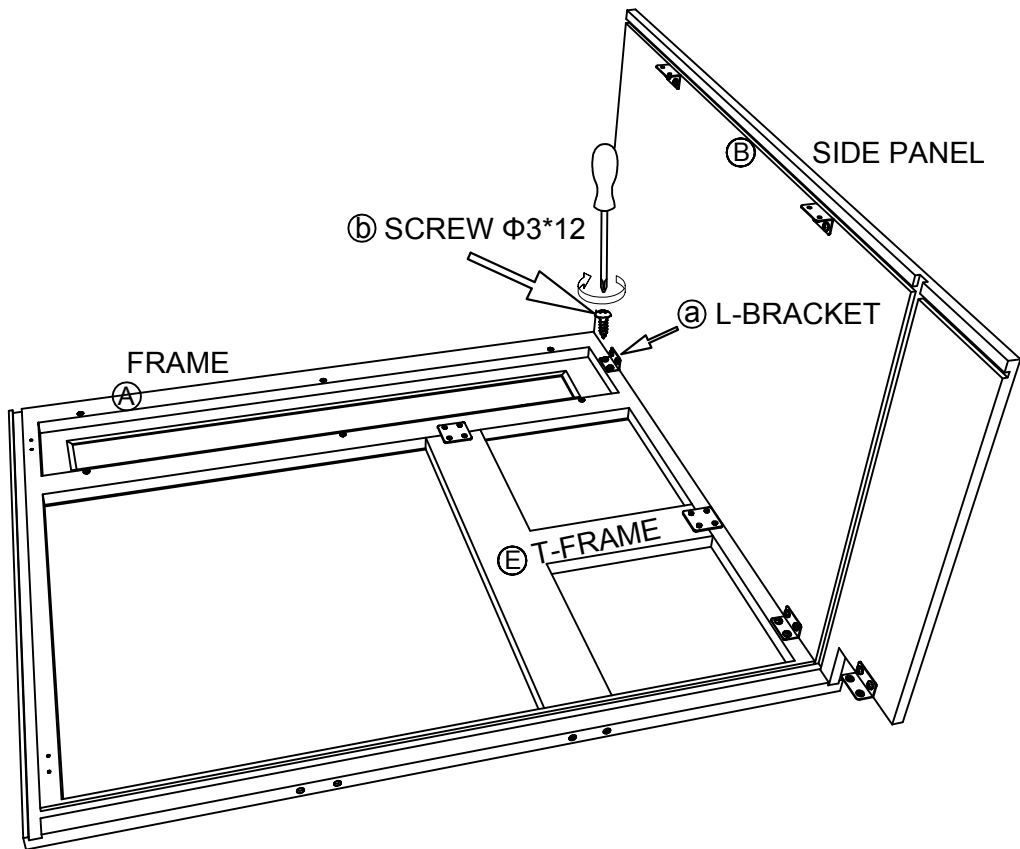
# ASSEMBLY INSTRUCTION



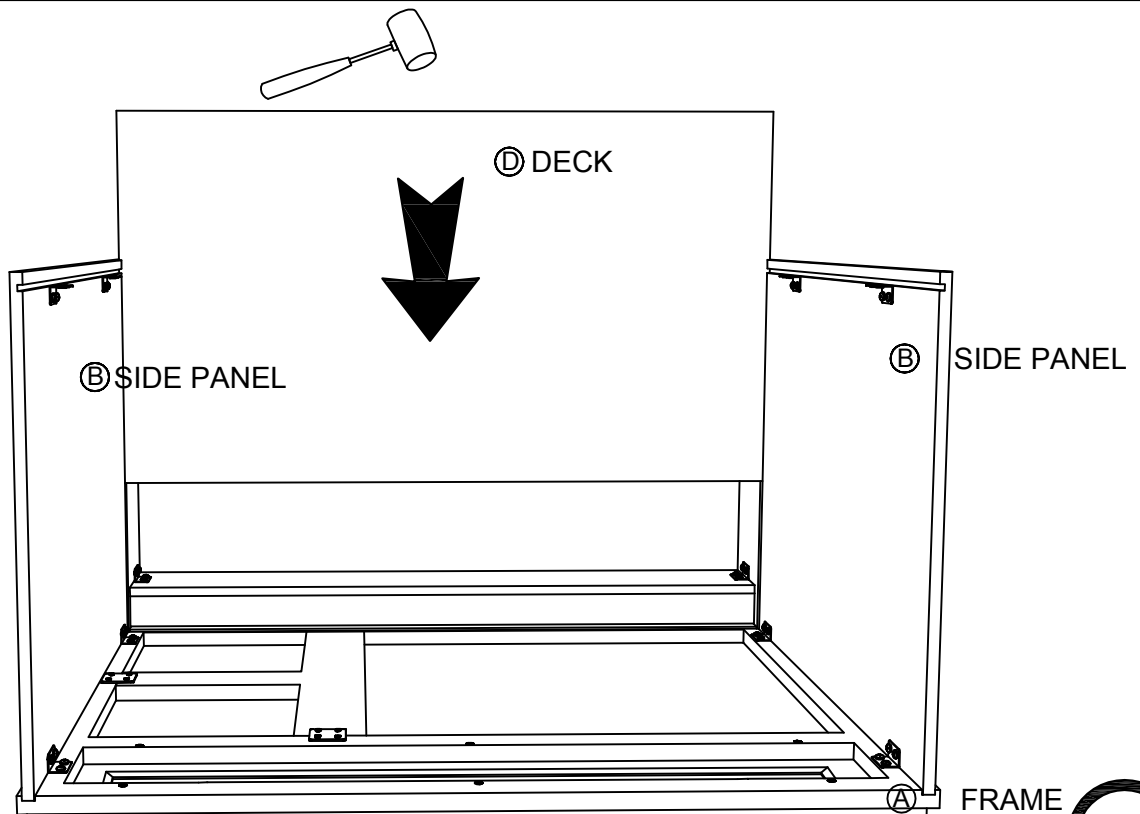
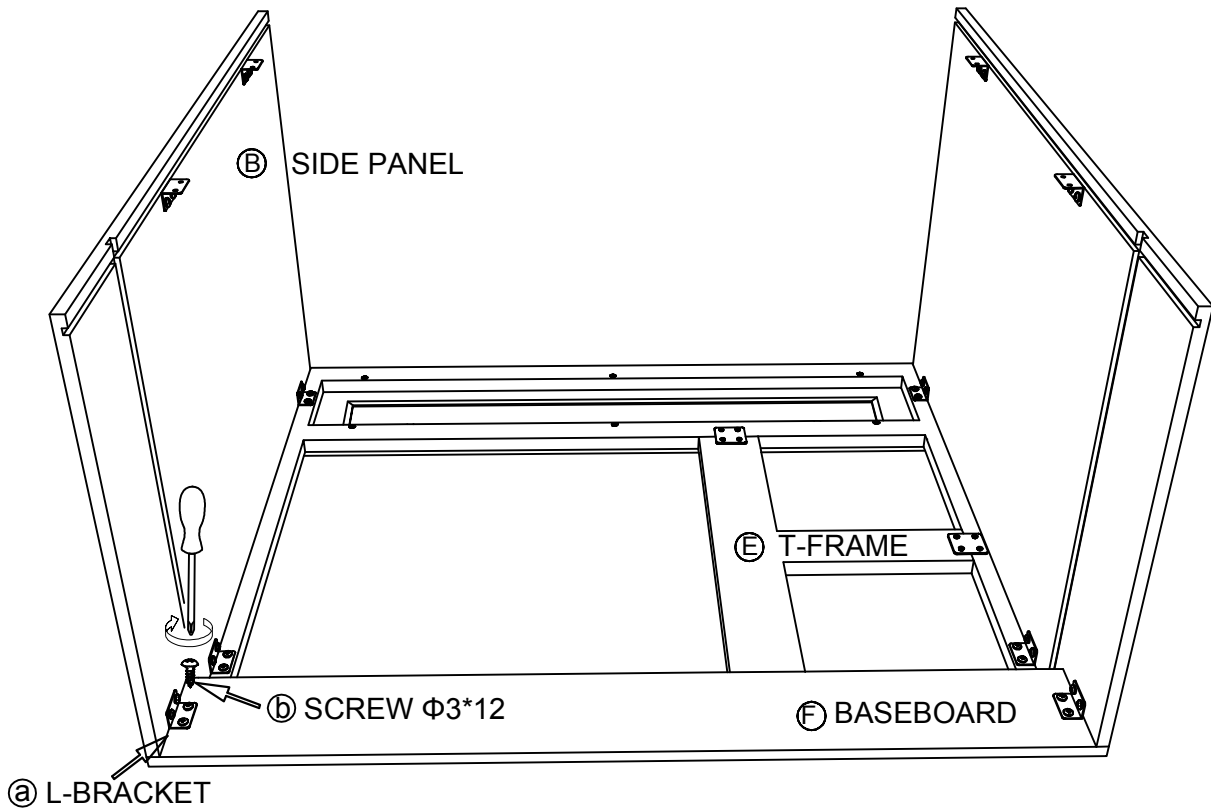
# ASSEMBLY INSTRUCTION



# ASSEMBLY INSTRUCTION

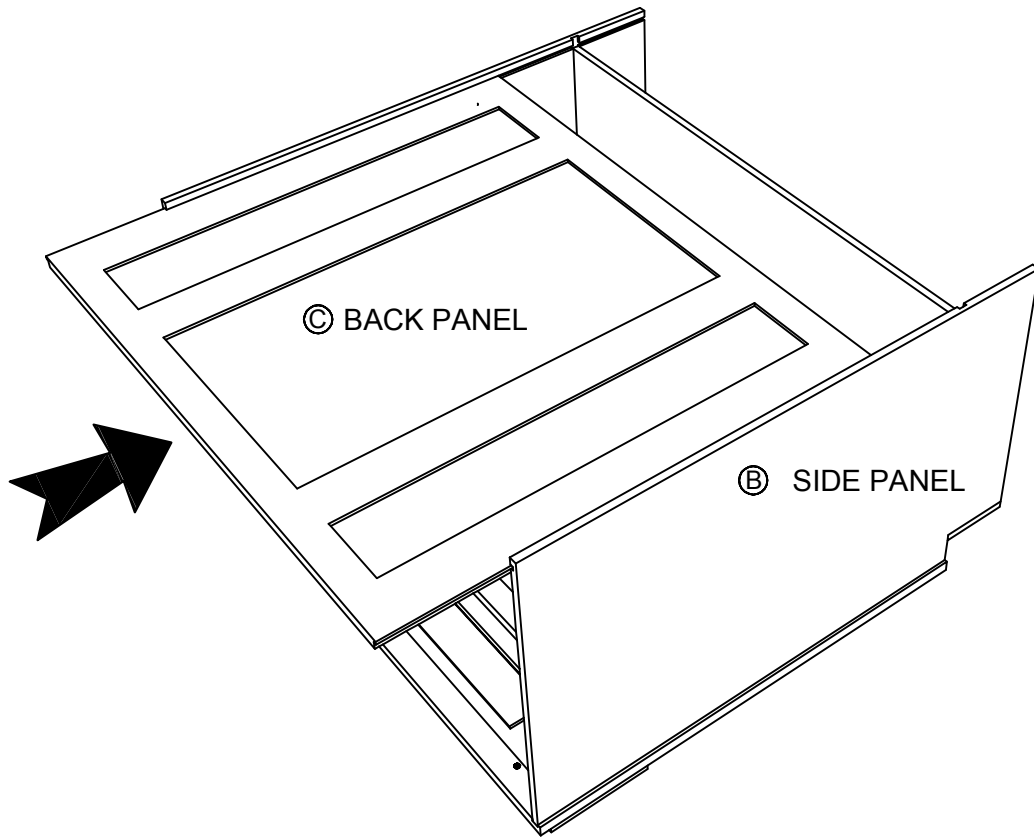


# ASSEMBLY INSTRUCTION

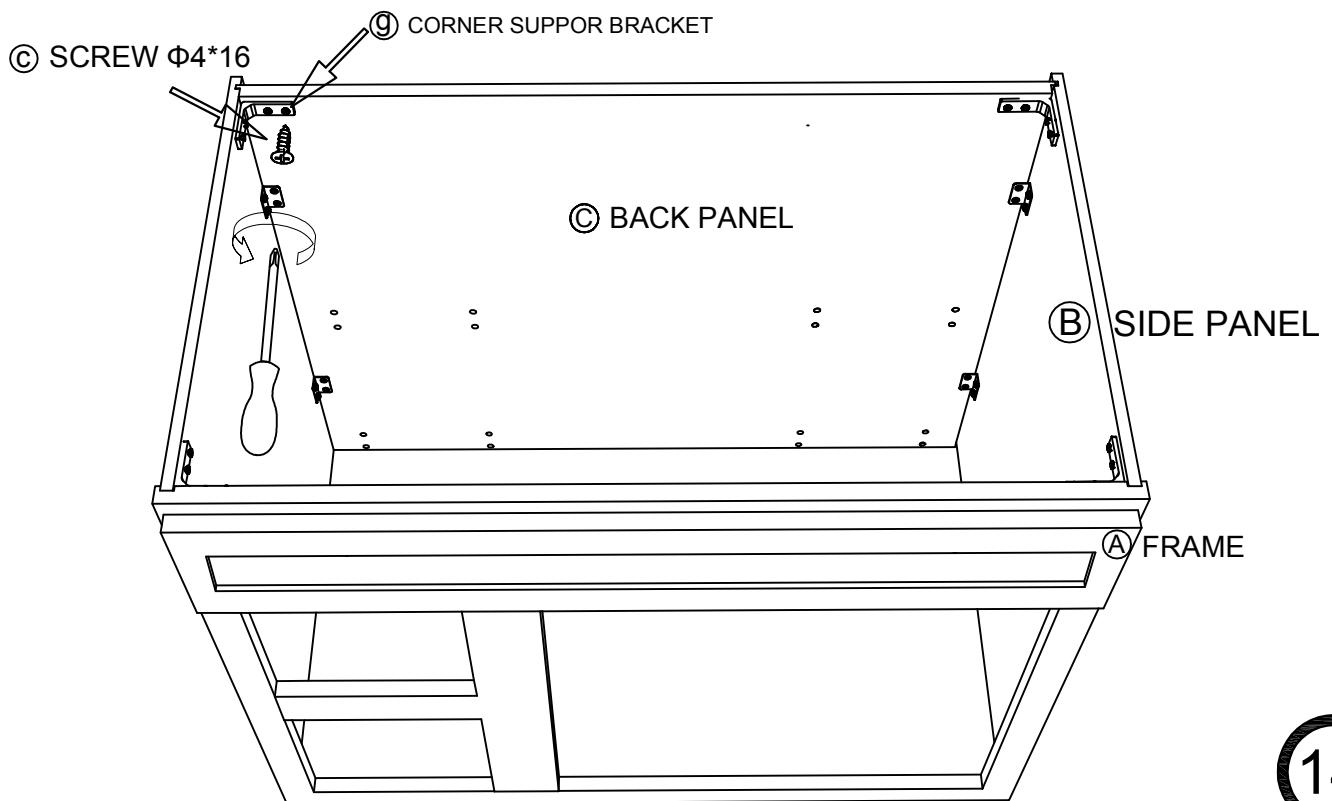




# ASSEMBLY INSTRUCTION



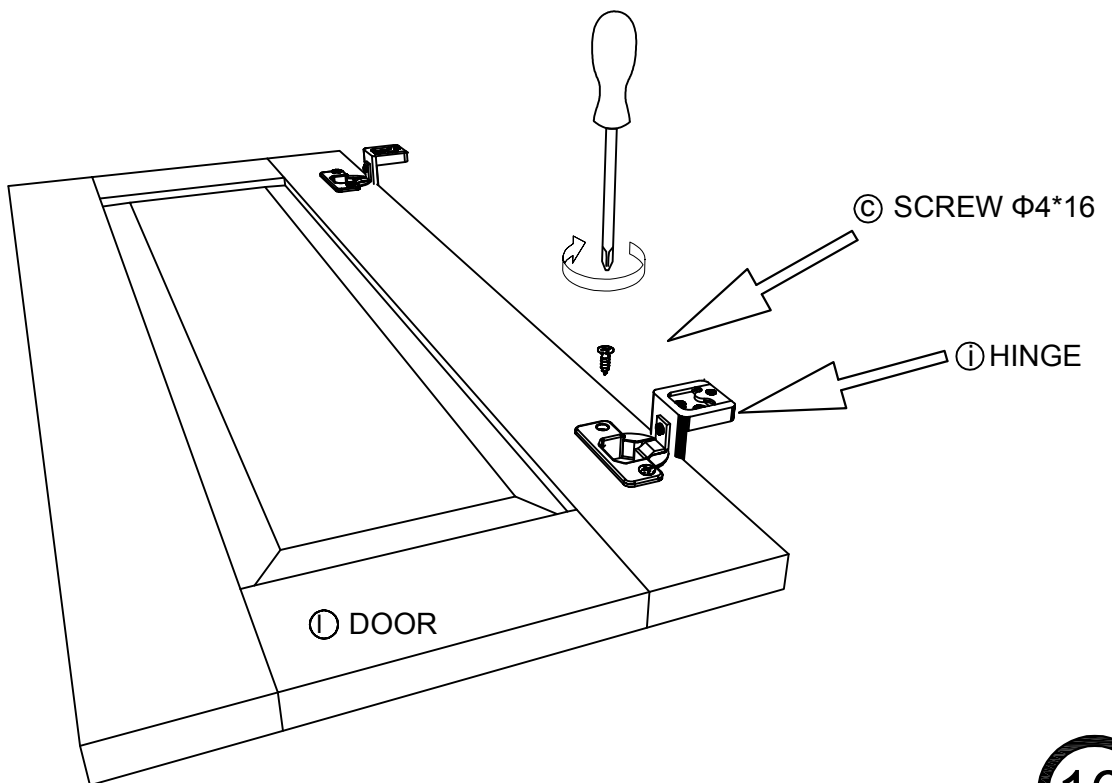
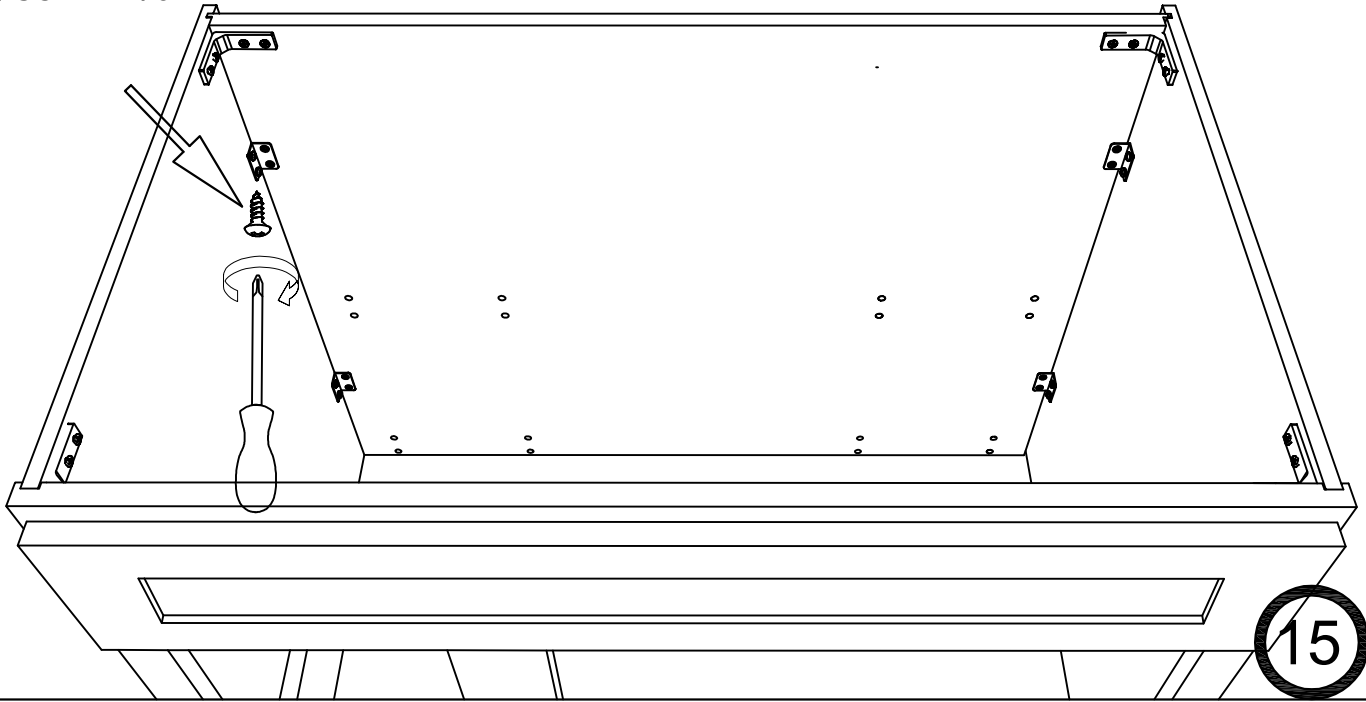
13



14

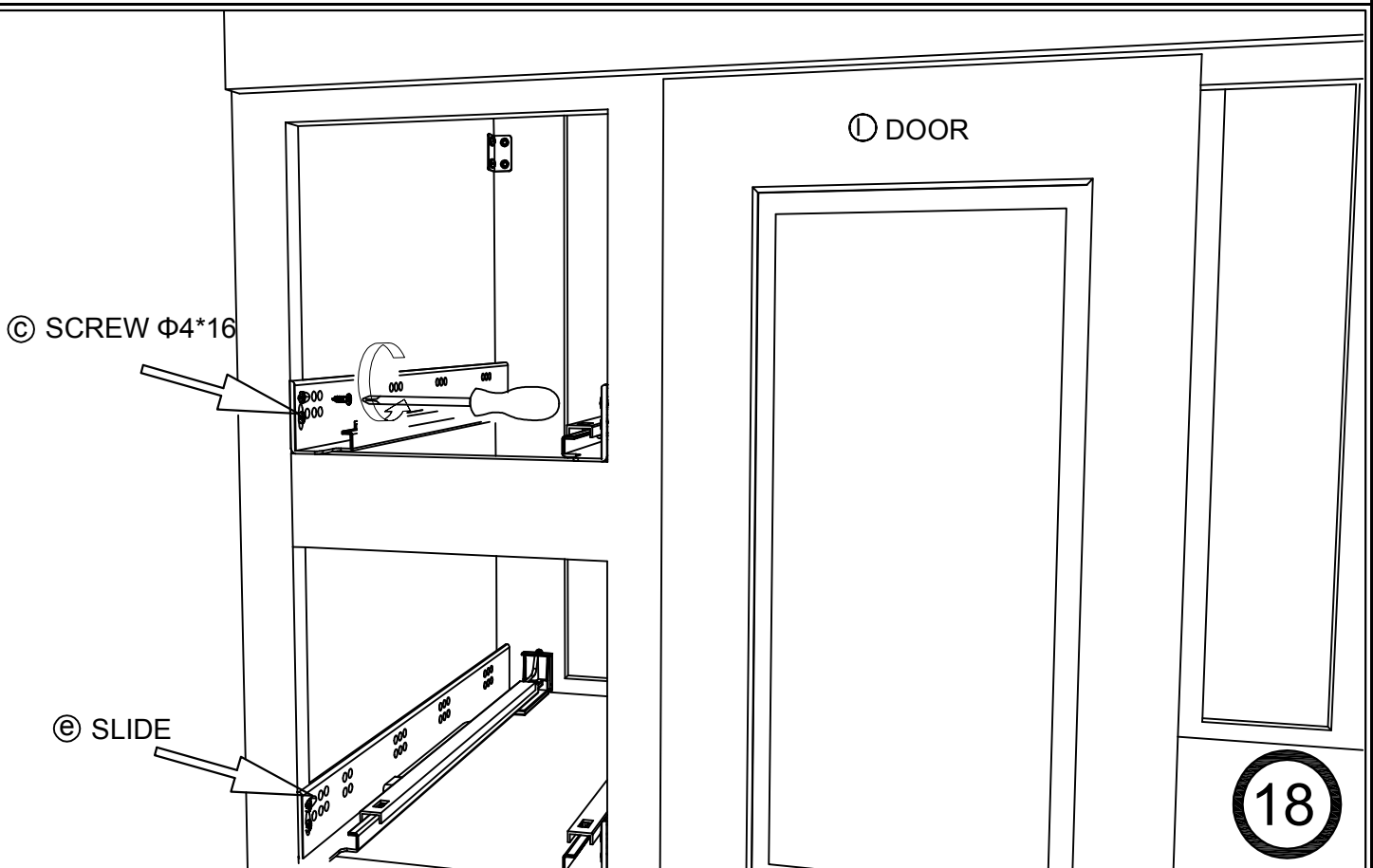
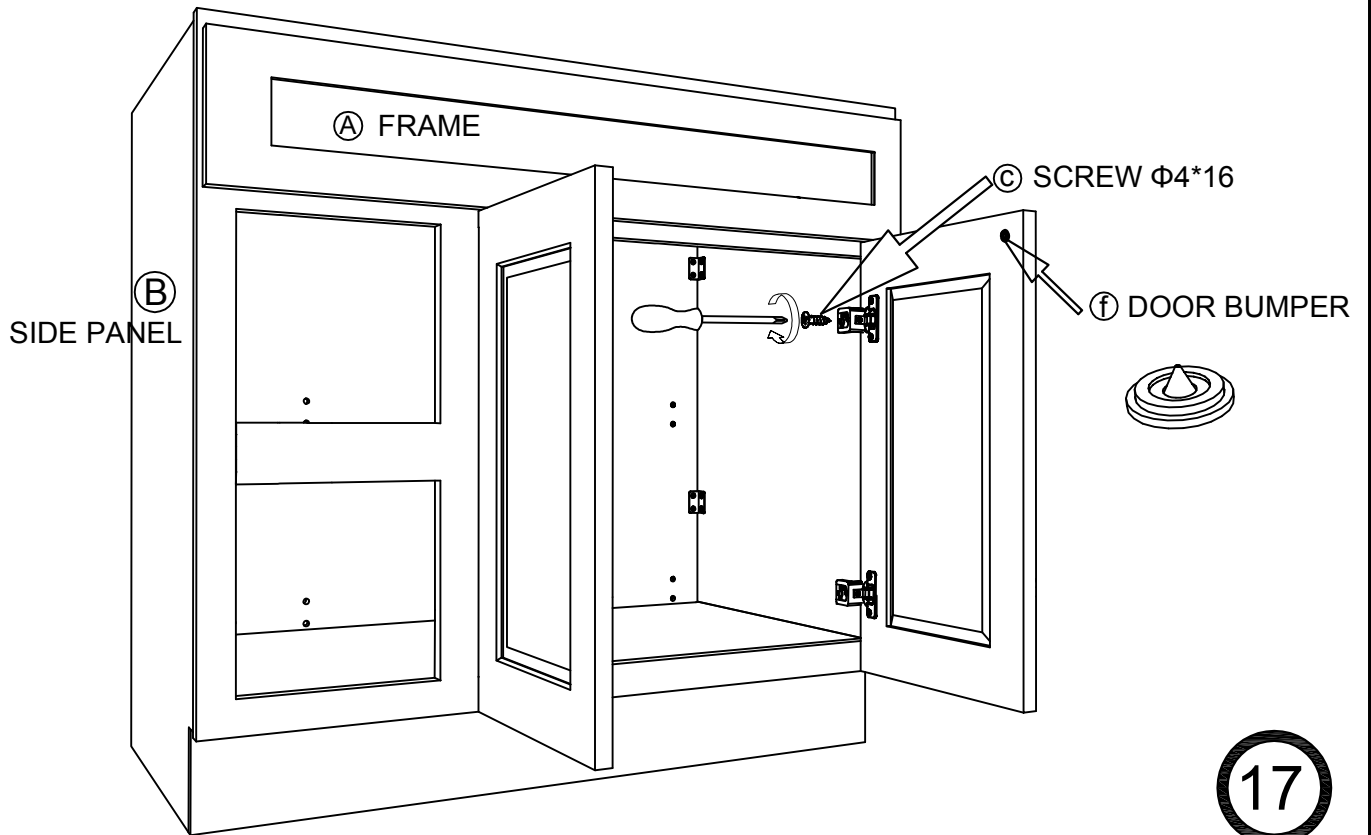
# ASSEMBLY INSTRUCTION

ⓑ SCREW  $\Phi 3 \times 12$

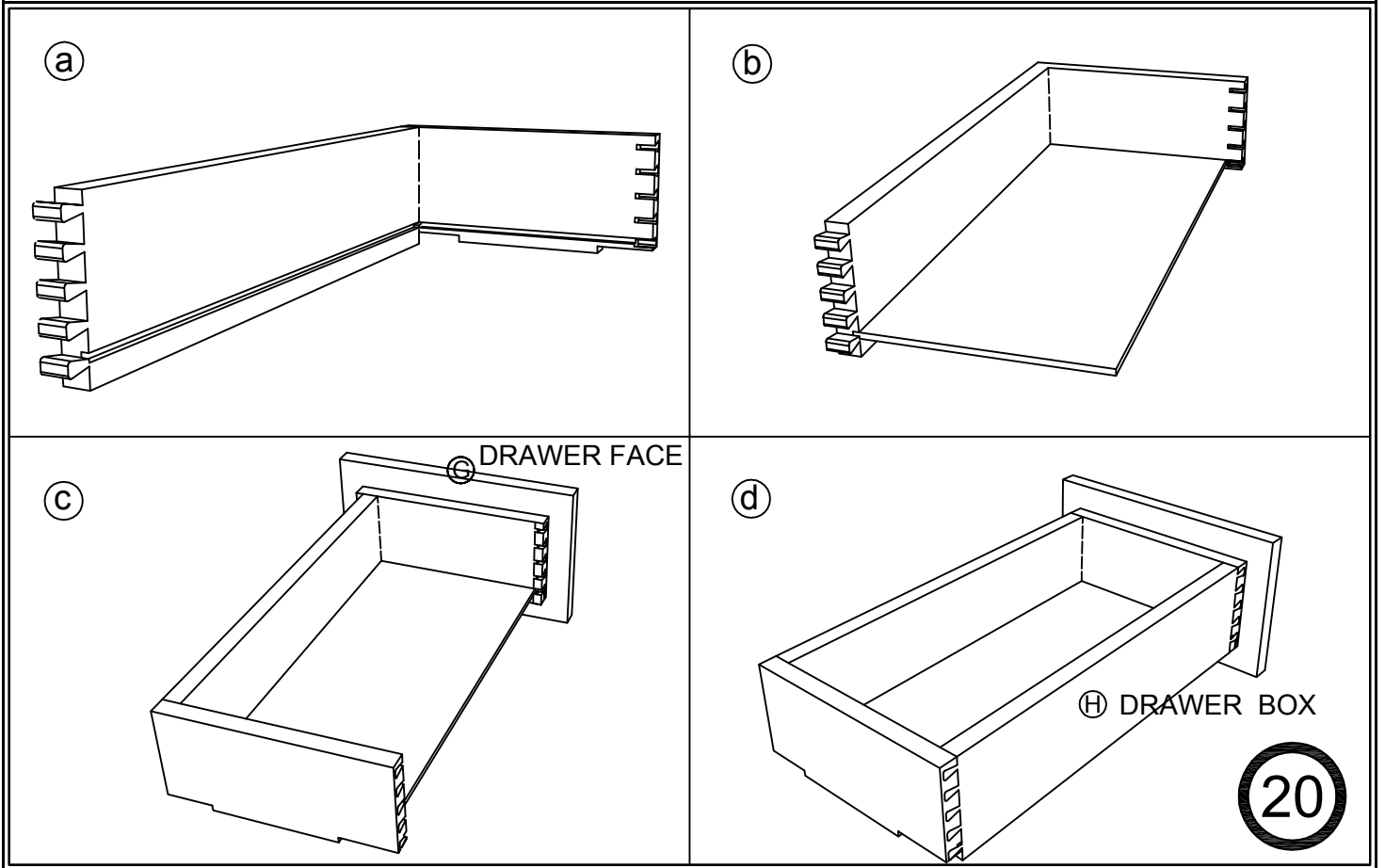
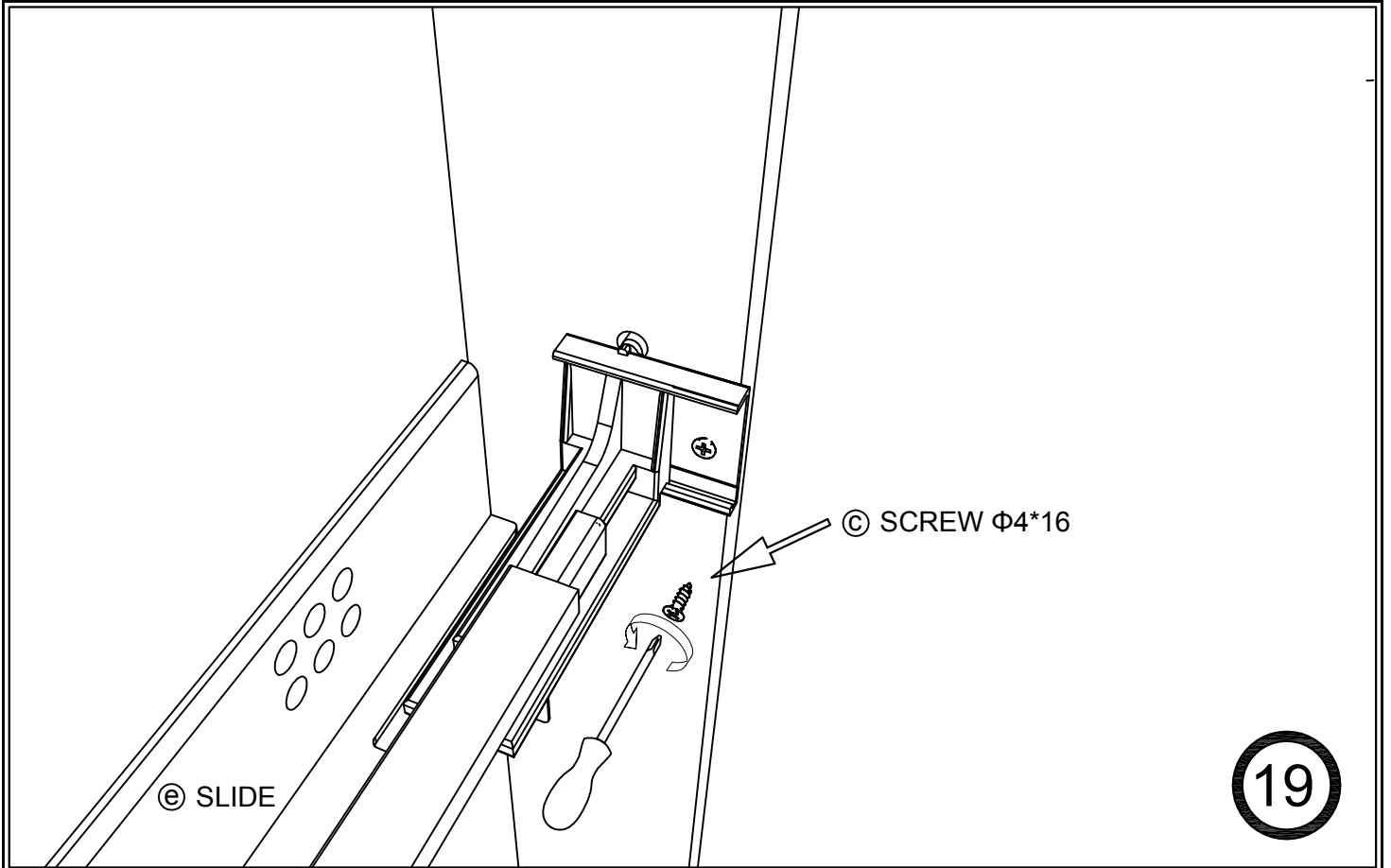


16

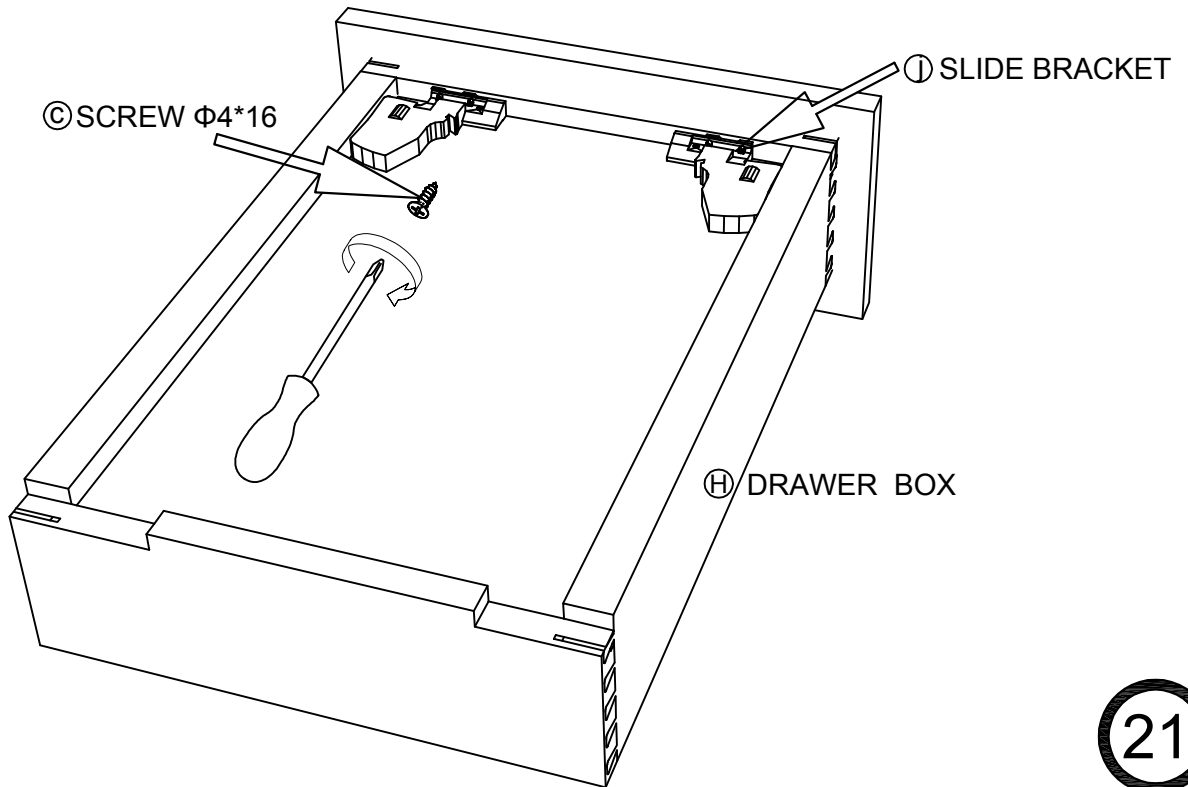
# ASSEMBLY INSTRUCTION



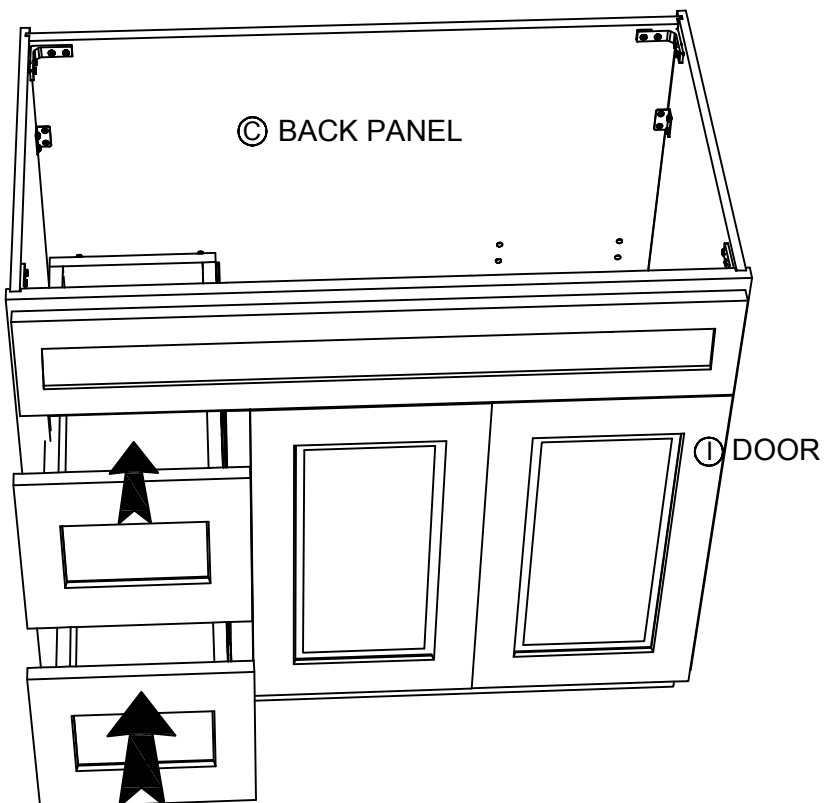
# ASSEMBLY INSTRUCTION



# ASSEMBLY INSTRUCTION

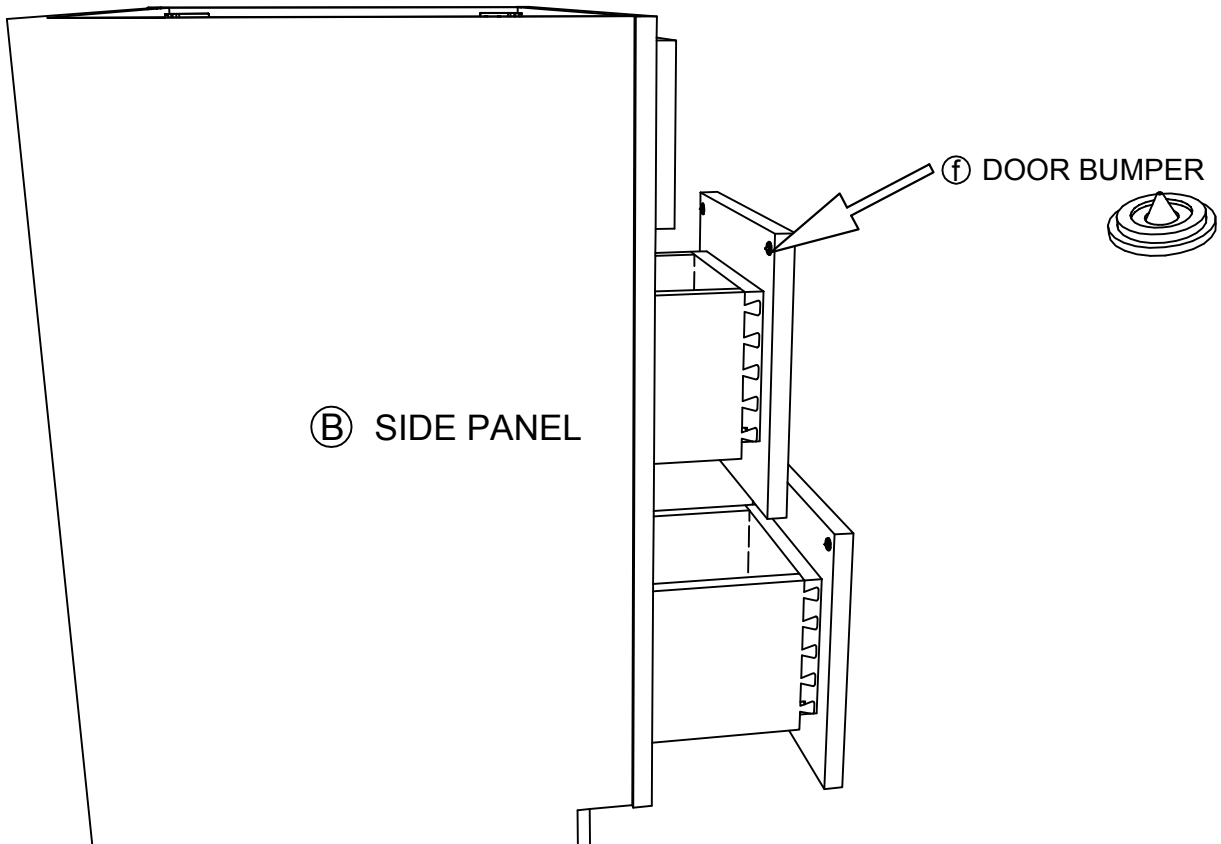


21

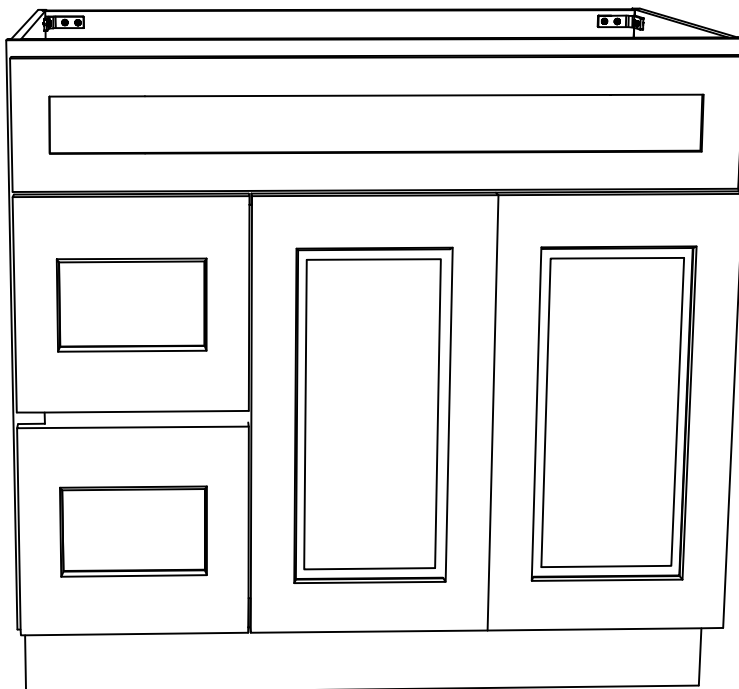


22

# ASSEMBLY INSTRUCTION



23



24